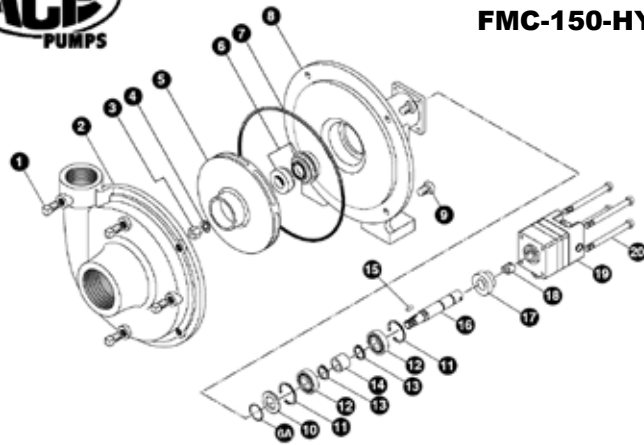


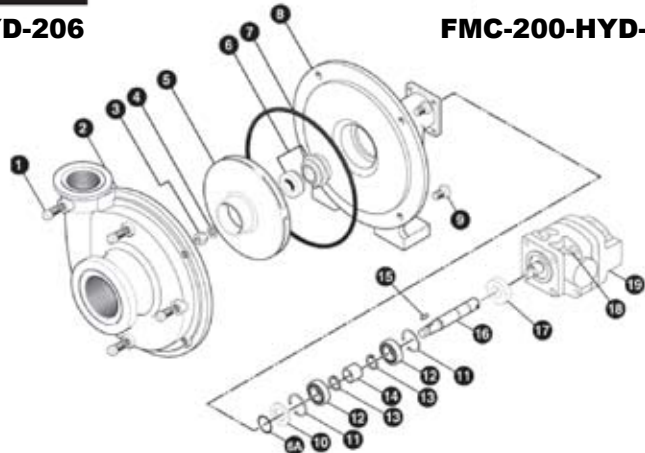
CENTRIFUGAL SPRAYER PUMPS



PART	MAX GPM	MAX PSI	HYD GPM	ACE HYDRAULIC CAST IRON PUMPS DESCRIPTION	lbs ea.	PRICE
FMCHYD206	120	120	7	1 1/2" inlet, 1 1/4" outlet - Open/close center	31	\$639
FMCHYD304	200	120	11	2" inlet, 1 1/2" outlet - Open/close center	38	759



FMC-150-HYD-206



FMC-200-HYD-304

REF#-PART#	DESCRIPTION	PRICE
1-BAC53	Pipe plug	\$.50
2-BAC12-150	Volute	180.00
2-BAC12-150FLG	Volute, FP 220 x 200 Std, flange	220.50
2-BAC12-150SS	Volute, FP 220 x 200 Std flange SS	535.50
3-BAC23A-SS	Nut stainless steel	8.00
4-BAC24HYD-SS	Washer stainless steel	1.50
5-BAC26-150P	Impeller, Valox	60.00
5-BAC26-200CI	Impeller, cast iron	170.00
6-BAC7V	Seal mechanical, Viton	40.00
6-BAC7SC	Seal mechanical, silicon carbide	130.00
6-BAC40160	O-ring, shaft seal	1.00
7-BAC4-150	O-ring, body seal	6.00
8-BAC14-150HYD	Mounting frame (for 200 series)	252.00
9-BAC40950	Cap screw	.50
9-BAC40930	Cap screw, stainless steel	2.50
10-BAC54	Slinger	1.50
11-BAC33	Snap ring, internal,	2.00
12-BAC37	Ball bearing, sealed, BAC-6 shaft	19.00
13-BAC32	Snap ring, external, BAC-6 shaft	.50
14-BAC32S	Spacer for BAC-6 shaft	6.00
15-BACH25	Key	1.00
16-BAC6HYD-SS	Shaft 5/8" Stainless steel	85.00
17-BAC-S200	Seal support spacer for 200 series	3.50
18-BAC76HYD	Coupling for Hydraulic motor	25.00
19-BAC75HYD206	Hydraulic motor, 7 GPM	450.00
20-BAC41258	Cap screw	2.00
BAC75HYD-RK	Repair kit for 200 series motor	24.75
BAC75HYDL-RK	Repair kit for 200-L series motor	46.00
BAC75-200TLS	Seal, 200 series hyd motor, Teflon	29.00

REF#-PART#	DESCRIPTION	PRICE
1-BAC-53	Pipe plug	\$.50
1-BAC41120	Pipe plug stainless steel	4.00
2-BAC12-150FLG	Volute, FP 220 x 200 Std, flange	220.50
3-BAC23A-SS	Nut stainless steel	8.00
4-BAC24HYD-SS	Washer stainless steel	1.50
5-BAC26-200P	Impeller	95.00
5-BAC26-200CI	Impeller, cast iron	170.00
6-BAC7V	Seal, mechanical, viton	40.00
6-BAC7SC	Seal, mechanical, silicon carbide	130.00
6-BAC10160	O-ring, shaft seal (old style)	.50
7-BAC4-A	O-ring, body seal	6.00
8-BAC14-HYD-300	Mounting frame, for 300 series	229.50
9-BAC40950	Cap screw	.50
9-BAC40930	Cap screw, stainless steel	2.50
10-BAC54	Slinger	1.50
11-BAC33	Snap ring, internal	2.00
12-BAC37	Ball bearing, sealed BAC-6 shaft	19.00
13-BAC32	Snap ring, external	.50
14-BAC32S	Spacer for BAC-6 shaft	6.00
15-BACH25	Key	1.00
16-BAC6-150-200SS	Shaft 5/8" stainless steel	85.00
17-BAC-S300	Seal support spacer for 300 series	3.50
18-BAC75HYD304A	Hydraulic motor, 11GPM	657.00
19-BAC41330	Cap screw	.50
BAC75HYD300L-RK	Repair kit for 300L series motor	63.75
BAC75-300-TLS	Seal, 300 series hyd motor, teflon	41.00
BACLS-304	Flow limiter for 304	54.00
BACLS-206	Flow limiter for 206	52.00